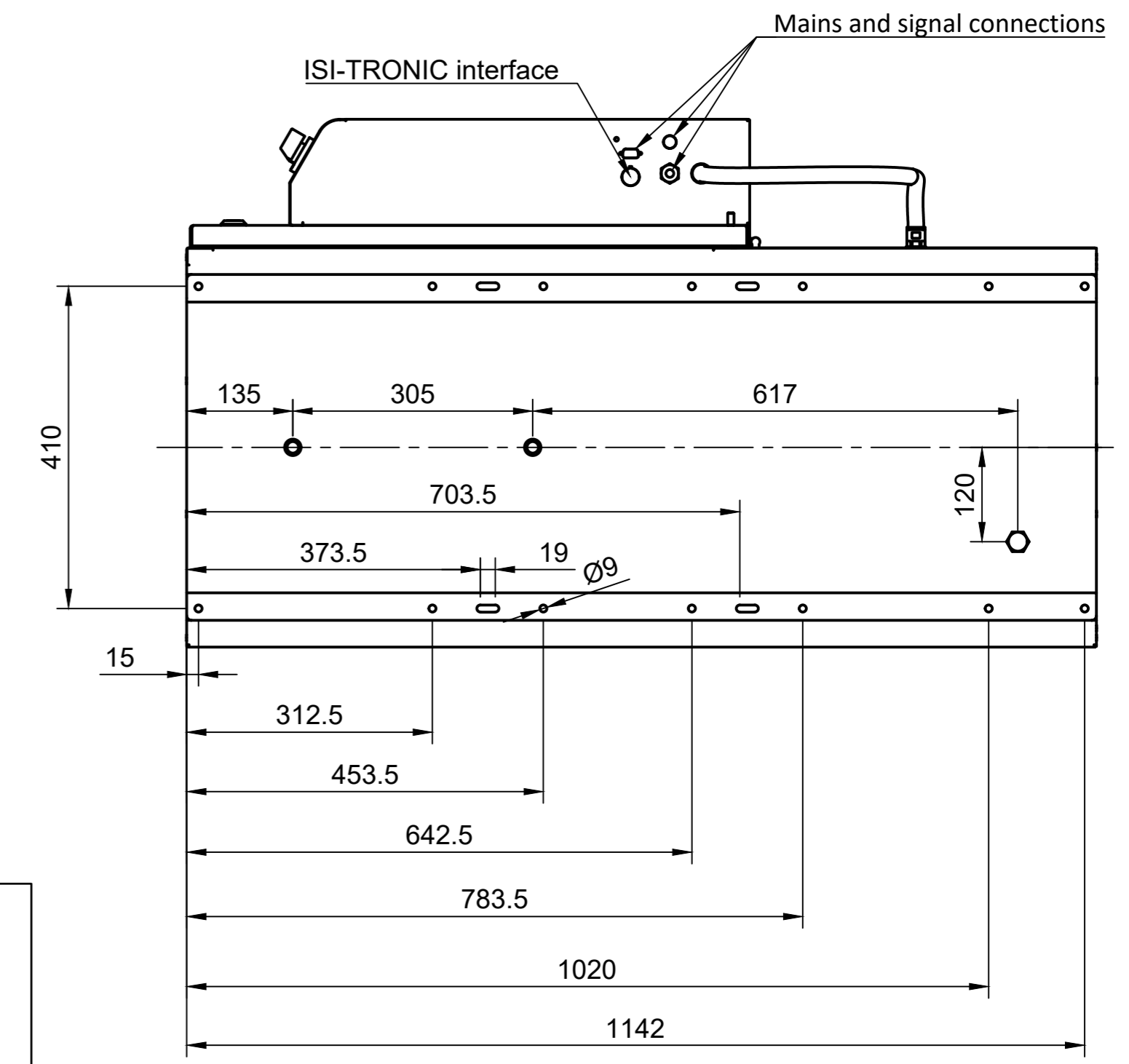
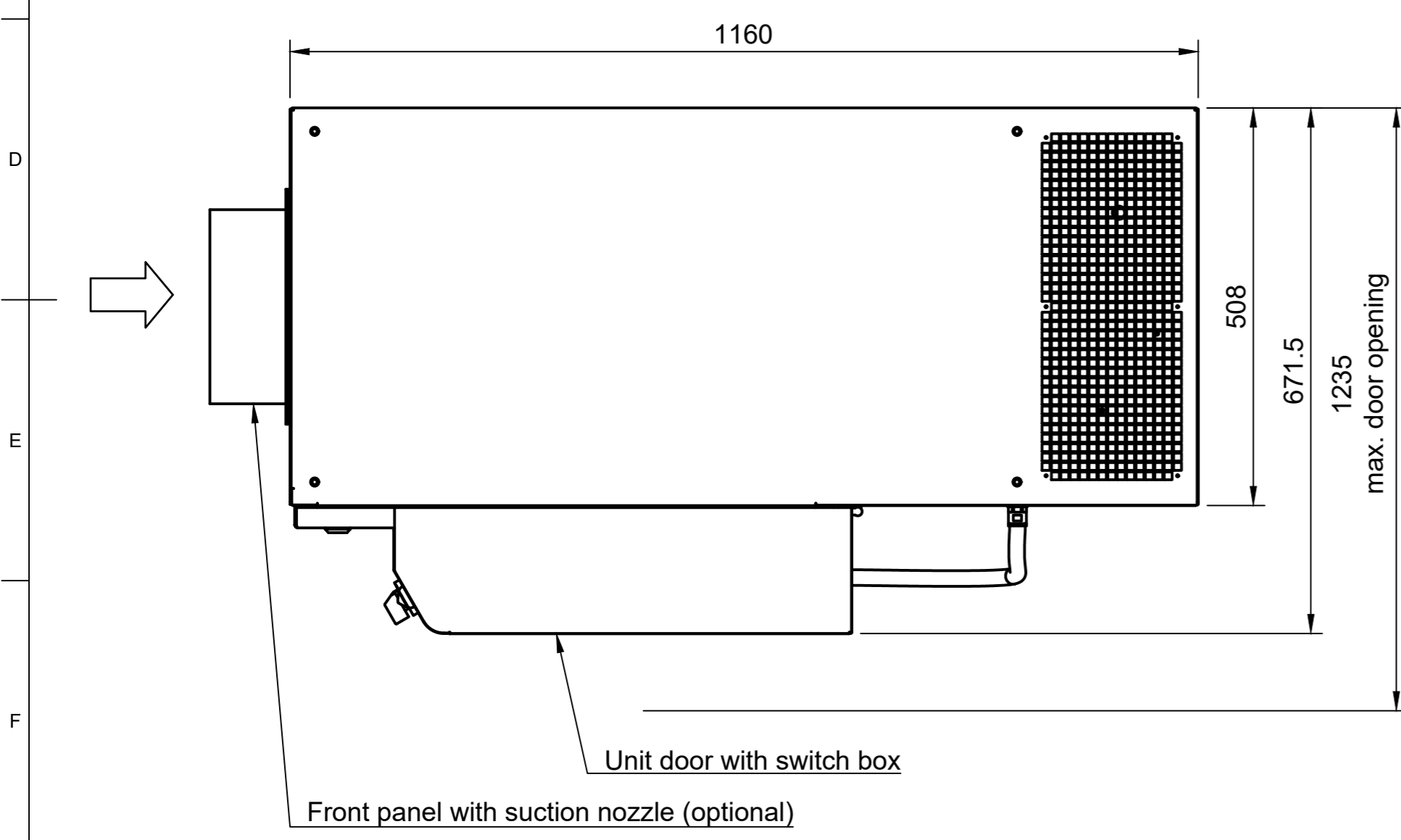


Indicator lamp high voltage

Main switch

View A



Front panel with suction nozzle (optional)

Extraction air volume V:

* Operating voltage:	400V, 50/60Hz, 3Ph+PE
Power consumption:	max. 0,62 kW
Protection class:	IP54
Noise level:	66dB (A)
Weight:	ca. 99kg/111kg
* Colour:	RAL 7035 Light grey
* Other versions on request	

V max. Fan capacity:	2600m³/h
V free blowing without front plate:	2220m³/h
V with front plate and spigot:	Ø150 1300m³/h
	Ø200 1740m³/h
	Ø250 1960m³/h
	Ø300 2080m³/h

optional versions and attached accessories may lead to differences

Allgemeintoleranzen		Material	
Abteilung	Maßstab	Erstellt von	Genehmigt von
Technik	1:7	Steffen Hiltmann	
Dokumententyp		Art.-Nr.	
Unit drawing			
Typ			
E-RON4D1TR			
E-RON4D2TR			
E-RON4D1EC			
E-RON4D2EC			
Rev.	Ausgabedatum	Blatt	
1	13.09.2023	1/1	



ISI-Industrieprodukte GmbH
Industriepark Nord 16
53567 Buchholz / Mendt
Tel.: +49 2683 9794-0
www.isi-luftfilter.de