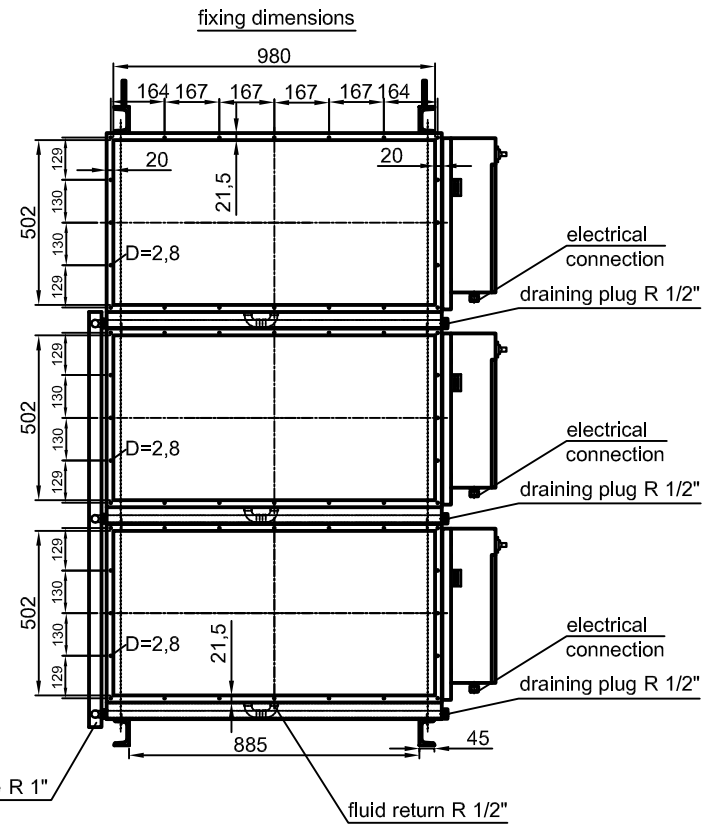


Transport threaded rods M12
to be removed after installation



2x fluid return, downpipe R 1"


ATTENTION!

For the 2 siphons to be connected by the customer,
a clear height of 750mm is to be provided between
device bottom edge and floor upper edge.

technical data (standard execution)

- * operating voltage: 230V, 50Hz, 1Ph+N+PE
- total output: SH = 3x 0,2 kW / DH = 3x 0,4 kW
- protection: IP 54
- weight: max. 543 kg
- * colour: RAL 7035 grey
- * Other executions on request

Special executions and accessories can modify the technical data!

| | | | | | |
|---------------------------------------------------------------------------------------|--------------------------------------------------------------------------------------------------------------|-------|---------------------------------|------------------------|----------------------------------------|
|  | ISI-Industrie-Produkte GmbH Industriepark Nord 16 53567 Buchholz / Mendt Tel. 02683/9794-0 Fax 7447 | | Oberfläche | Maßstab - | Position - Menge - |
| | | | | RON/AG103 RON/AG104 | RON/AG105 - |
| | | | Datum | Name | |
| | | | Bearb. 26.11.12 | AB | |
| | | | Gepr. | | |
| | | | Norm | | |
| | | | RON/A15000 DH oG | | |
| | | | RON/A 15000 DH retrofittable oG | | |
| | | | | | Blatt |
| | | | | | - |
| | | | | | Bl |
| Zust. | Änderungen | Datum | Name | Dateiname | (Blatt und Datei Name, Datum, Version) |