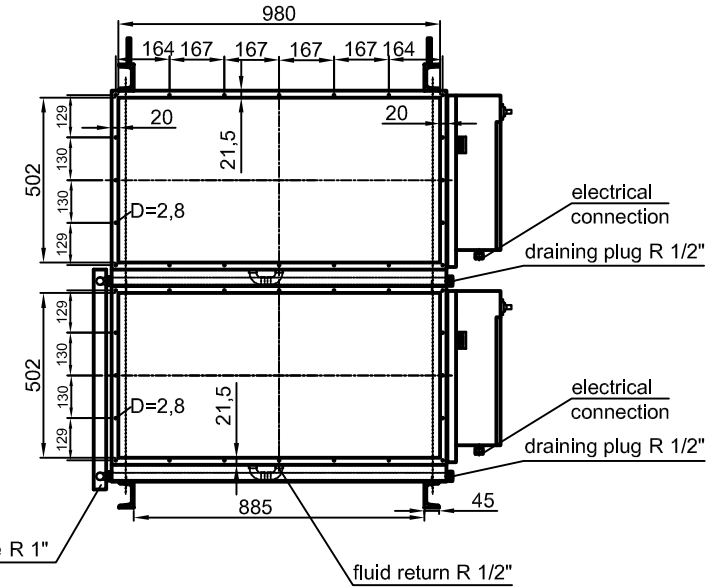
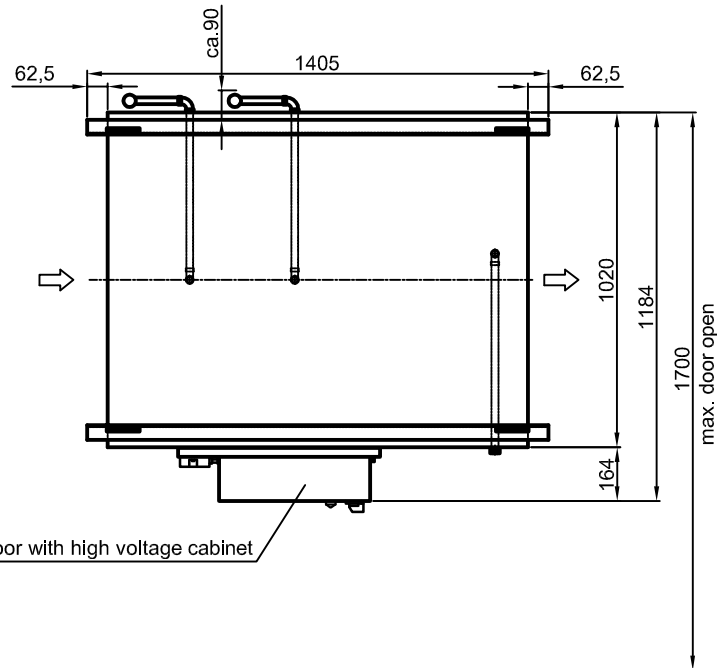


fixing dimensions



2x fluid return, downpipe R 1"
ATTENTION!
For the 2 siphons to be connected by the customer, a clear height of 750mm is to be provided between device bottom edge and floor upper edge.




technical data (standard execution)

- * operating voltage: 230V, 50Hz, 1Ph+N+PE
- total output: SH = 2x 0,2 kW / DH = 2x 0,4 kW
- protection: IP 54
- weight: max. 380 kg
- * colour: RAL 7035 grey

* Other executions on request

Special executions and accessories can modify the technical data!

 ISI-Industrie-Produkte GmbH Industriepark Nord 16 53567 Buchholz / Mendt Tel. 02683/9794-0 Fax 7447	Oberfläche Maßstab - Position - Menge -	RON/AG100	RON/AG102
		RON/AG101	-
Datum Name Bearb. 26.11.12 AB Gepr. Norm		RON/A10000 DH oG RON/A 10000 DH retrofittable oG	
			Blatt -
			Bl
Zust.	Änderungen	Datum	Name
			Dateiname